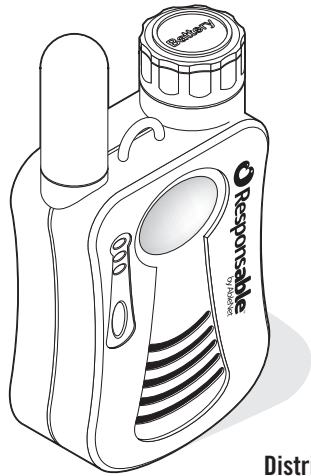


Quickstart Guide Responsible Pendant

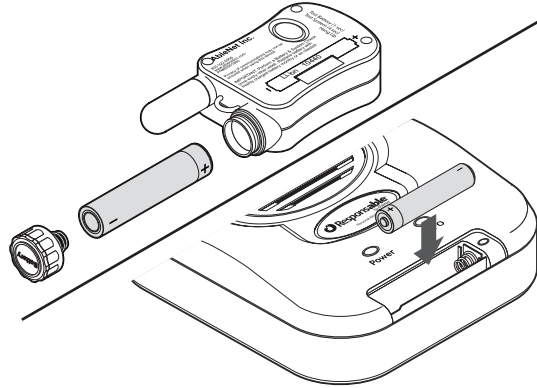


Distributed by AbleNet



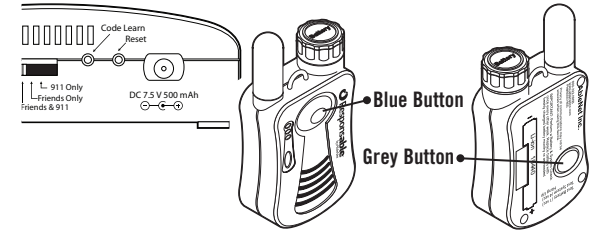
www.ablenetinc.com

Installing and Charging Batteries



1. Unscrew battery cover from top of Pendant and insert battery as shown.
2. Replace battery cover on Pendant.
3. Charge unused Pendant battery in front of Base Unit as shown.

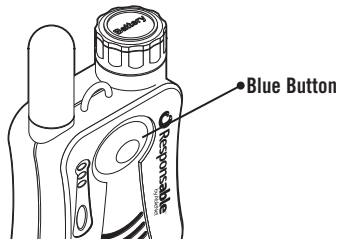
Pairing Pendant with Base Unit



1. Press and Release Red “Code Learn” button on back of Responsible Base Unit.
 - Device will speak, “Pendant Learning”
2. Press and Hold Gray then Blue buttons on Pendant until you hear, “Pendant Learning.” Release buttons.
3. When successfully paired, device will speak, “All systems are OK” then announce current dialing mode.

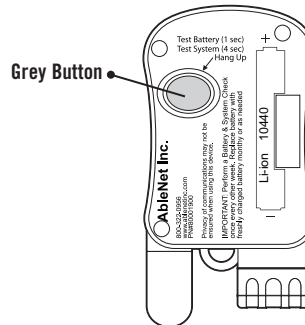
Note: If Code Learning fails, wait 30 seconds, then retry by starting the process over.

Basic Pendant Use



1. To call out, Press and Hold the Blue button for 2 seconds.
 - Responsible will dial the emergency number(s) based on the calling mode selected. (See Responsible System Manual for modes.)
2. To hang up, Press and Release the Gray button one time.
 - The other caller can also end the call by pressing 9 on their keypad (preferred) or by simply hanging up.
3. To answer an incoming call, Press and Release the Blue button.

Battery and Systems Check



To test battery status - Press and Release the device's Gray button. The device will speak its current battery condition.

To test system status - Press and Hold the device's Gray button for 4 seconds. The device will speak the current system conditions.

Note: See Responsible System Manual for status details.

Mounting Warranty and Contact

Mounting the Pendant

Pendant may be carried or worn with the included accessories:

- Belt Clip
- Lanyard
- Wrist strap (Also fits walkers, wheelchairs, bed rails, etc.)

Warranty

AbleNet manufactured products include a two-year limited warranty. This warranty is against defects in materials and manufacturing for two-years from the date of purchase. Warranty in full text is available at www.ablenetinc.com.

AbleNet, Inc.

Mpls./Saint Paul, MN 55113
800-322-0956
www.ablenetinc.com



www.ablenetinc.com